

SHR21850 liquid ring vacuum pump

Within Edwards' full range of liquid ring vacuum pumps, the EHR/SHR series offers a two-stage construction for peak performance at low suction pressures.

Liquid ring pumps are ideal for pumping either dry or wet gases, with a high tolerance to liquid carry over. Pumps are available in a variety of materials which can be selected to handle the pumped process media.

All Edwards liquid ring pumps are available as part of ATEX category 1 or category 2 pump systems. The SHR21850 is ideal for vacuum distillation and evaporator applications in the chemical, pharmaceutical and biofuels industry, and is also suited to condenser air extraction in the power industry.

Pumps can be supplied as bare shaft or as part of a package complete with drive motor, discharge separator, heat exchanger and other accessories for recirculation of the seal liquid.



Features and benefits

- Two stage design - peak efficiency at high vacuum
- Operates across entire vacuum range
- Mechanical shaft seals
- Choice of construction materials
- Rugged, robust construction
- Externally mounted bearings



Technical data

Performance details	50 Hz	60 Hz
Nominal capacity	3280 m ³ /h	3800 m ³ /h
Suction pressure	30 mbara	30 mbara
Nominal speed	735 rpm	880 rpm
Nominal motor power	110 kW	132 kW
Weight	1680 kg	

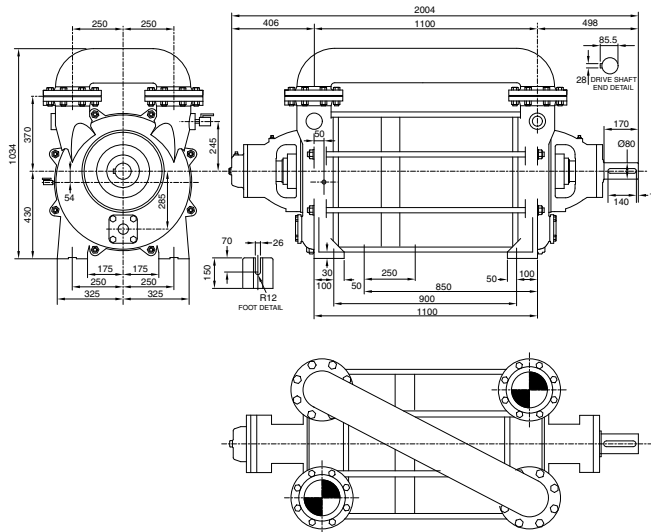
Materials of construction

	Cast Iron	Stainless Steel	Stainless Steel Fitted
Casing	Cast Iron	CF8M	Cast Iron
Body	Cast Iron	CF8M	Cast Iron
Impeller	SG Iron	CF8M	CF8M
Shaft	420S37	316S11	316S11
Seals	Mechanical	Mechanical	Mechanical

Edwards reserves the right to use equivalent materials.

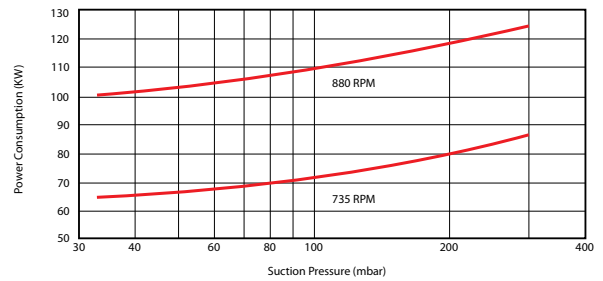
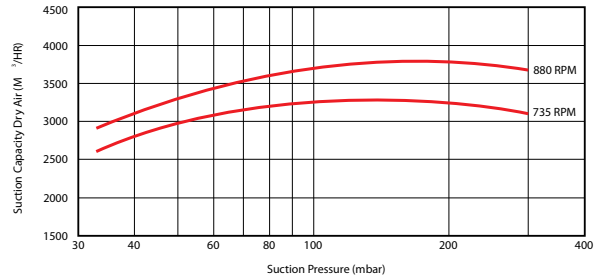
Dimensions

Service liquid connection 2½" BSP



Suction & discharge connection 150mm NB BS4504 NP16

Speed curves



Global contacts

EUROPE
 UK Crawley +44 1293 528844
 UK (local rate) 08459 212223
 Belgium Brussels +32 2 300 0730
 France Paris +33 1 4121 1256
 Germany Munich 0800 000 1456
 Italy Milan +39 02 48 4471

USA
 Niagara (toll free) +1 800 848 9800
BRAZIL
 Sao Paulo +55 11 3952 5000
ISRAEL
 Qiryat-Gat +972 8 681 0633

ASIA PACIFIC
 China (toll free) +86 400 111 9618
 India, Pune +91 20 4075 2222
 Japan, Yachiyo +81 47 458 8831
 Korea, Bundang +82 31 716 7070
 Singapore +65 6546 8408
 Taiwan R.O.C. Jhunan Town +886 3758 1000