

# SHR2750 liquid ring vacuum pump

Within Edwards' full range of liquid ring vacuum pumps, the EHR/SHR series offers a two-stage construction for peak performance at low suction pressures.

Liquid ring pumps are ideal for pumping either dry or wet gases, with a high tolerance to liquid carry over. Pumps are available in a variety of materials which can be selected to handle the pumped process media.

All Edwards liquid ring pumps are available as part of ATEX category 1 or category 2 pump systems. The SHR2750 is ideal for vacuum distillation and evaporator applications in the chemical, pharmaceutical and biofuels industry, and is also suited to condenser air extraction in the power industry.

Pumps can be supplied as bare shaft or as part of a package complete with drive motor, discharge separator, heat exchanger and other accessories for recirculation of the seal liquid.



## Features and benefits

- Two stage design - peak efficiency at high vacuum
- Operates across entire vacuum range
- Mechanical shaft seals
- Choice of construction materials
- Rugged, robust construction
- Externally mounted bearings



# Technical data

Performance details	50 Hz	60 Hz
Nominal capacity	1230 m <sup>3</sup> /h	1440 m <sup>3</sup> /h
Suction pressure	30 mbara	30 mbara
Nominal speed	980 rpm	1175 rpm
Nominal motor power	45 kW	55 kW
Weight	584 kg	

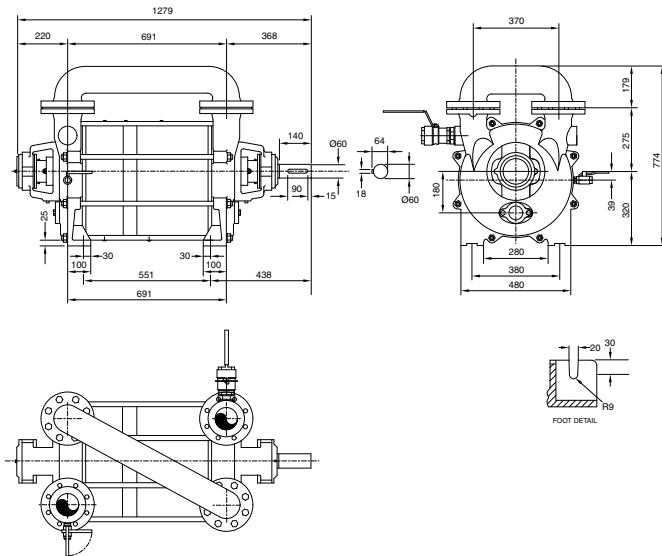
## Materials of construction

	Cast Iron	Stainless Steel	Stainless Steel Fitted
Casing	Cast Iron	CF8M	Cast Iron
Body	Cast Iron	CF8M	Cast Iron
Impeller	SG Iron	CF8M	CF8M
Shaft	420S37	316S11	316S11
Seals	Mechanical	Mechanical	Mechanical

Edwards reserves the right to use equivalent materials.

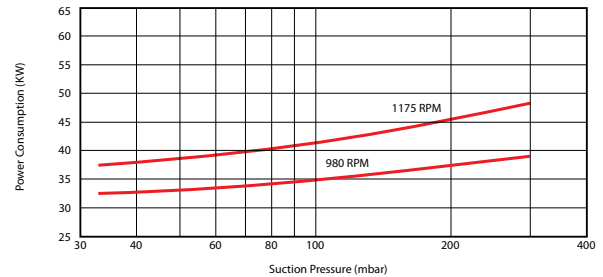
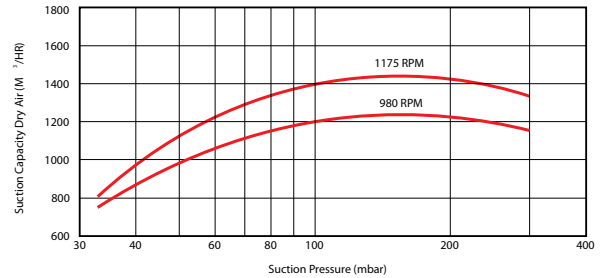
## Dimensions

Suction & discharge connection 100mm NB BS4504 NP16



Service liquid connection 2" BSP

## Speed curves



# Global contacts

**EUROPE**  
 UK Crawley +44 1293 528844  
 UK (local rate) 08459 212223  
 Belgium Brussels +32 2 300 0730  
 France Paris +33 1 4121 1256  
 Germany Munich 0800 000 1456  
 Italy Milan +39 02 48 4471

**USA**  
 Niagara (toll free) +1 800 848 9800  
**BRAZIL**  
 Sao Paulo +55 11 3952 5000  
**ISRAEL**  
 Qiryat-Gat +972 8 681 0633

**ASIA PACIFIC**  
 China (toll free) +86 400 111 9618  
 India, Pune +91 20 4075 2222  
 Japan, Yachiyo +81 47 458 8831  
 Korea, Bundang +82 31 716 7070  
 Singapore +65 6546 8408  
 Taiwan R.O.C. Jhunan Town +886 3758 1000