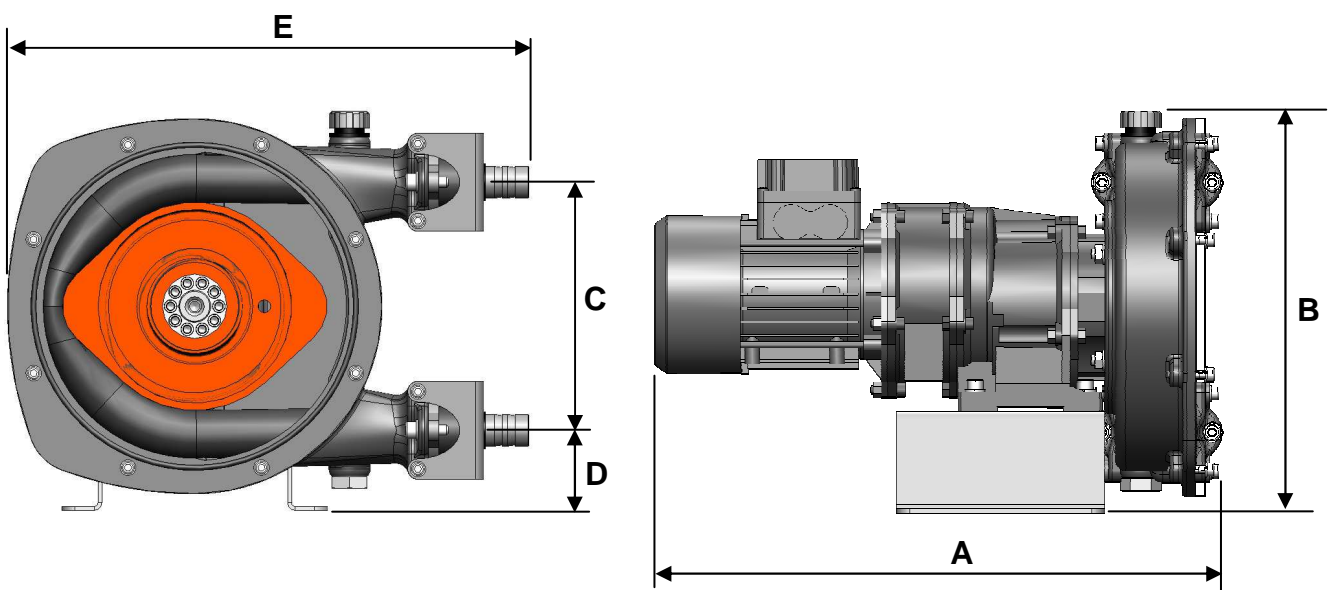




### TECHNICAL CHARACTERISTICS

		STANDARD	AVAILABLE OPTIONS
<b>Technology</b>		Peristaltic	
<b>Maximum Flow rate at 1 cSt L/h (GPM)</b>		450 (1.98) (1)	
<b>Ports</b>		Nipples	
<b>Dimensions mm (in.)</b>	A	525 (20.7)	
	B	325 (12.8)	
	C	192.(7.56)	
	D	62 (2.44)	
	E	405 (15.94)	
<b>Weight kg (lbs)</b>		26 - 32 (57 - 70)	

(1) Intermittent duty only.



### OPERATING LIMITS

	STANDARD MATERIALS	OPTIONAL MATERIALS
Minimum temperature °C (°F)	0 (32)	
Maximum temperature °C (°F)	70 (158)	80 (176) with EPDM hose
Maximum viscosity cSt (SSU)	30000 (139000)	
Maximum differential pressure bar (psi)	8 (116)	
Maximum speed rpm	90 (1)	
Maximum solid particle size mm (in)	3 (0.12)	
Maximum soft particle size mm (in)	5 (0.2)	

(1) Intermittent duty only.

### MATERIALS OF CONSTRUCTION

Part No	PART NAME	STANDARD MATERIALS	AVAILABLE OPTIONS
1	Casing	Ductile Iron	
2	Cover	Polycarbonate	
3	Rotor	Ductile Iron	
10	Cover seal	FKM	
26	Shaft seal	FKM	
12	Insert	Stainless steel	PPH, PVDF
16	Hose	NR	NBR, NBR-FDA, EPDM, Hypalon
18	Bracket	Stainless steel	
	Bolts, screws, washers	Stainless steel	

