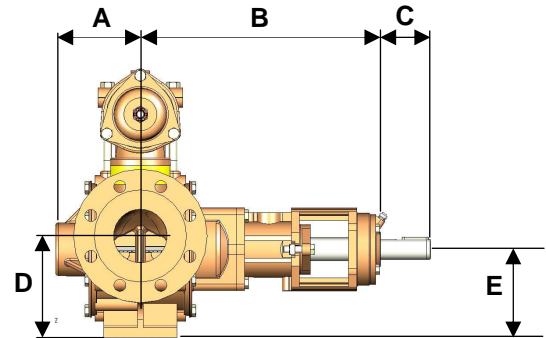
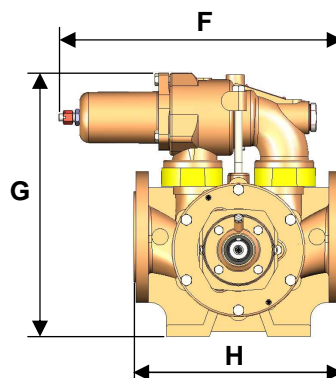


**CHARACTERISTICS**

|  | STANDARD               | AVAILABLE OPTIONS                    |
|--|------------------------|--------------------------------------|
| Technology   | Vane pump              |                                      |
| Maximum Flow rate at 1 cSt m <sup>3</sup> /h (GPM) | 25 (110) at 1000 rpm   |                                      |
| Cubic capacity L (cu.in)                           | 0.46 (28.07)           |                                      |
| Internal relief valve                              | Single                 | Double, no relief valve              |
| Rotation   | Clockwise (6 vanes)    | Anticlockwise, reversible (12 vanes) |
| Ports  | DN 65 ISO PN16 Flanges |                                      |
| Heating  | -                      | Heating jacket                       |
| Dimensions mm (in.)                                | A 101 (3.98)           |                                      |
|  | B 316 (12.44)          |                                      |
|  | C 62.5 (2.46)          |                                      |
|  | D 125 (4.93)           |                                      |
|  | E 112 (4.41)           |                                      |
|  | F 323 (12.72)          | 396 (15.6) with double relief valve  |
|  | G 327 (12.87)          | 281.5 (11.09) without relief valve.  |
|  | H 250 (9.84)           |                                      |
| Weight kg (lbs)                                    | 41 (90.4)              | 38 (84) without relief valve         |



**OPERATING LIMITS**

|   | STANDARD MATERIALS           | AVAILABLE OPTIONS             |
|---|------------------------------|-------------------------------|
| Minimum temperature °C (°F)             | -10 (14)                     |                               |
| Maximum temperature °C (°F)             | 200 (392)                    | 250 (482) with FKM HT O rings |
| Maximum viscosity cSt (SSU)             | 200000 (960000)              |                               |
| Maximum differential pressure bar (psi) | 12 (174)                     | 9 (130) with metallic vanes   |
| Maximum outlet pressure barg (psig)     | 14 (203)                     |                               |
| Maximum speed (rpm)                     | 1500 up to 6 bar, 1000 above | 750 with metallic vanes       |

**MATERIALS OF CONSTRUCTION**

| Part No | PART NAME                | STANDARD MATERIALS             | AVAILABLE OPTIONS  |
|---------|--------------------------|--------------------------------|--|
| 101     | Casing                   | Cast iron                      |  |
| 301     | Rotor                    | Cast iron                      | SG Iron on 12 vanes rotors   |
| 317     | Vanes                    | PEEK                           | Carbon steel (1), bronze   |
| 318     | Push Rods                | -                              | Carbon steel, PEEK (bronze vanes)  |
| 401     | Cover                    | Cast iron                      |  |
| 407     | Bushings                 | Carbon                         |  |
| 501     | Shaft                    | Carbon steel                   |  |
| 508     | Shaft end key            | Carbon steel                   |  |
| 536     | Rotor key                | Carbon steel                   |  |
| 712     | End Cover                | Cast iron                      |  |
| 725     | Outboard bearing holder  | Cast iron                      |  |
| 705     | Outboard bearing cover   | Cast iron                      |  |
| 801     | Relief valve casing      | Cast iron                      |  |
| 823     | Relief valve plug        | Cast iron                      |  |
| 827     | Relief valve cover       | Cast iron                      |  |
|         | Bolts                    | Carbon steel                   |  |
|         | O rings                  | FKM                            | PTFE coated FKM, FKM HT  |
| 600     | Mechanical seal (Mouvex) | Carbon/FKM/stainless steel/FKM | Carbon/FEP/ st.steel /FEP<br>Carbon/FKM HT/st.steel/FKM HT<br>Bronze/FKM/ st.steel /FKM<br>Bronze/FEP/ st.steel /FEP<br>Bronze/FKM HT/ st.steel /FKM HT<br>Tungsten Carbide/FKM/ Tung.<br>Carb./FKM<br>Tung. Carb./FEP/ Tung. Carb./FEP<br>Tung. Carb./FKM HT/ Tung.<br>Carb./FKM HT<br>Standardized Seal (single or double)<br>PTFE Packing |

(1) With chrome coated casing (friction zone only)

