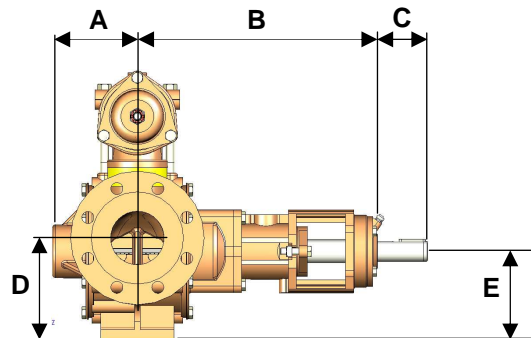
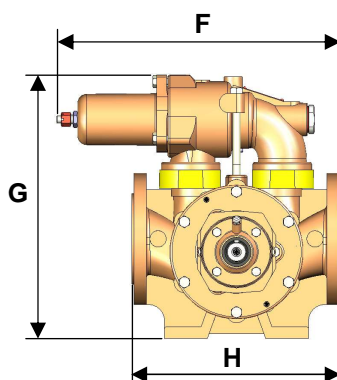


CHARACTERISTICS

| | STANDARD | AVAILABLE OPTIONS |
|--|-----------------------|--------------------------------------|
| Technology | Vane pump | |
| Maximum Flow rate at 1 cSt m ³ /h (GPM) | 40 (176) at 1000 rpm | |
| Cubic capacity L (cu.in) | 0.724 (44.18) | |
| Internal relief valve | Single | Double, no relief valve |
| Rotation | Clockwise (6 vanes) | Anticlockwise, reversible (12 vanes) |
| Ports | DN80 ISO PN16 Flanges | |
| Heating | - | Heating jacket, electric heating |
| Dimensions mm (in.) | A 127 (5) | |
| | B 359 (14.14) | |
| | C 75 (2.95) | |
| | D 152 (5.98) | |
| | E 132 (5.2) | |
| | F 435 (17.13) | 560 (22.05) with double relief valve |
| | G 402 (15.83) | 308.5 (12.15) without relief valve. |
| | H 320 (12.6) | |
| Weight kg (lbs) | 69 (153) | 66 (146) without relief valve |



OPERATING LIMITS

| | STANDARD MATERIALS | AVAILABLE OPTIONS |
|---|------------------------------|-------------------------------|
| Minimum temperature °C (°F) | -10 (14) | |
| Maximum temperature °C (°F) | 200 (392) | 250 (482) with FKM HT O rings |
| Maximum viscosity cSt (SSU) | 200000 (960000) | |
| Maximum differential pressure bar (psi) | 12 (174) | 9 (130) with metallic vanes |
| Maximum outlet pressure barg (psig) | 14 (203) | |
| Maximum speed (rpm) | 1500 up to 6 bar, 1000 above | 750 with metallic vanes |

MATERIALS OF CONSTRUCTION

| Part No | PART NAME | STANDARD MATERIALS | AVAILABLE OPTIONS |
|---------|--------------------------|--------------------------------|--|
| 101 | Casing | Cast iron | |
| 301 | Rotor | Cast iron | SG Iron on 12 vanes rotors |
| 317 | Vanes | PEEK | Carbon steel (1) , bronze |
| 318 | Push Rods | - | Carbon steel, PEEK (bronze vanes) |
| 401 | Cover | Cast iron | |
| 407 | Bushings | Carbon | |
| 501 | Shaft | Carbon steel | |
| 508 | Shaft end key | Carbon steel | |
| 536 | Rotor key | Carbon steel | |
| 712 | End Cover | Cast iron | |
| 725 | Outboard bearing holder | Cast iron | |
| 705 | Outboard bearing cover | Cast iron | |
| 801 | Relief valve casing | Cast iron | |
| 823 | Relief valve plug | Cast iron | |
| 827 | Relief valve cover | Cast iron | |
| | Bolts | Carbon steel | |
| | O rings | FKM | PTFE coated FKM, FKM HT |
| 600 | Mechanical seal (Mouvex) | Carbon/FKM/stainless steel/FKM | Carbon/FEP/ st.steel /FEP Carbon/FKM HT/st.steel/FKM HT Bronze/FKM/ st.steel /FKM Bronze/FEP/ st.steel /FEP Bronze/FKM HT/ st.steel /FKM HT Tungsten Carbide/FKM/ Tung. Carb./FKM Tung. Carb./FEP/ Tung. Carb./FEP Tungsten Carb./FKM HT/ Tungsten Carb./FKM HT Standardized Seal (single or double) PTFE Packing |

(1) With chrome coated casing (friction zone only)

