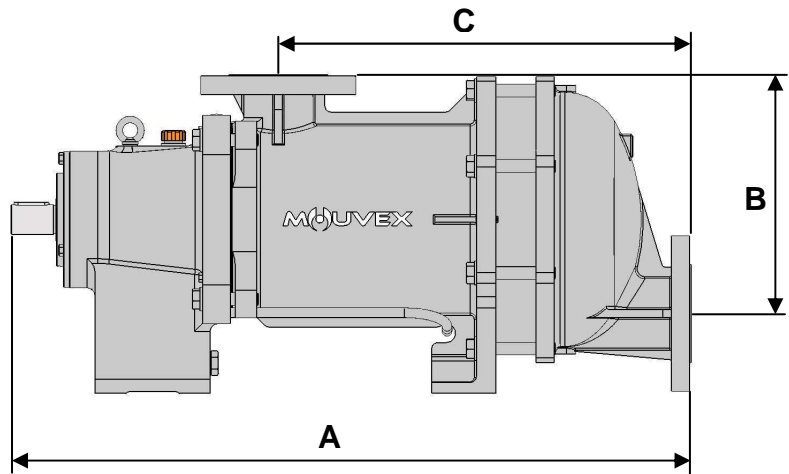
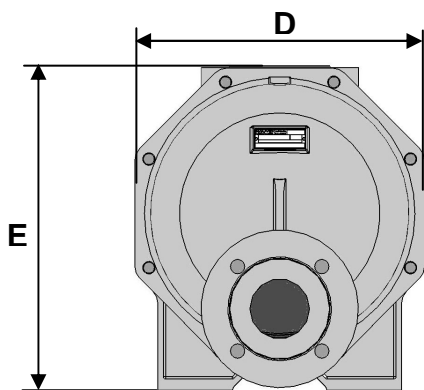


CHARACTERISTICS

		STANDARD	AVAILABLE OPTIONS
Technology		Eccentric Disc Mouvex®	
Maximum Flow rate at 1 cSt L/h (GPM)		36000 (158.5)	
Displacement L (cu.in)		1.42 (86.65)	
Ports		DN 80 ISO PN16 flanges	ANSI150 flanges
Pump heating		None	Heating jacket
Dimensions mm (in.) (With ISO PN16 flanges)	A	905.5 (35.65)	
	B	308 (12.13)	
	C	560 (22.05)	
	D	368 (14.49)	
	E	411 (16.18)	
Weight kg (lbs)		200 (441)	



OPERATING LIMITS

	STANDARD MATERIALS
Minimum temperature °C (°F)	-15 (5)
Maximum temperature °C (°F)	Process: 100 (212)
Maximum viscosity cSt (SSU)	10000 (46350)
Maximum differential pressure bar (psi)	6 (87)
Maximum inlet pressure barg (psig)	2 (29)
Maximum speed rpm	460
Maximum solid particle size mm (in)	2 (0.079)
Maximum soft particle size mm (in)	14 (0.551)

MATERIALS OF CONSTRUCTION

Part No	PART NAME	STANDARD MATERIALS	AVAILABLE OPTIONS
101	Inlet manifold	316L Stainless Steel (low carbon)	
201	Cylinder	316L Stainless Steel (low carbon)	
301	Disc	CY5SnBiM (anti galling alloy)	
304	Disc Nut	316Ti Stainless Steel (Titanium Alloy)	
401	Outlet Cover	316L Stainless Steel (low carbon)	
	Bolts	316L Stainless Steel (low carbon)	
	Transmission Assembly		
596	Bearings	Ball / Roller / Needle	
	Double Bellows Assembly	316Ti & 316 L Stainless Fabrication	Bellows monitoring system
	Housing	Cast iron	
	Screws	Steel	
	Transmission Lubricant	Synthetic oil	
	Seal Rings	Fluorocarbon (FKM) O-Rings	PTFE Encapsulated O-rings

