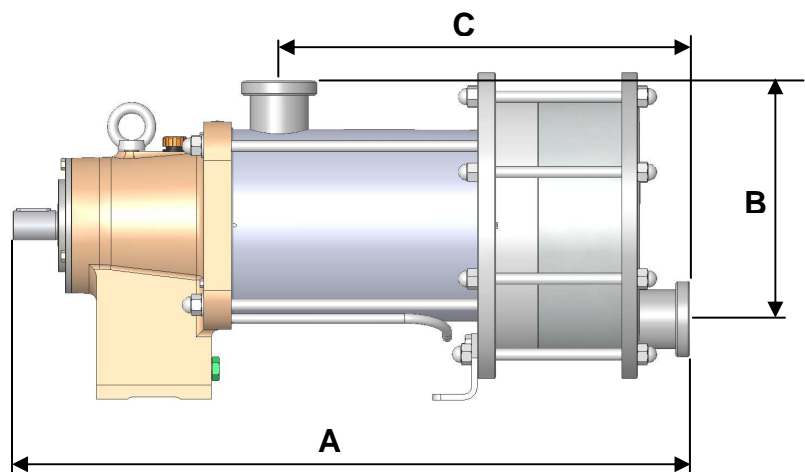
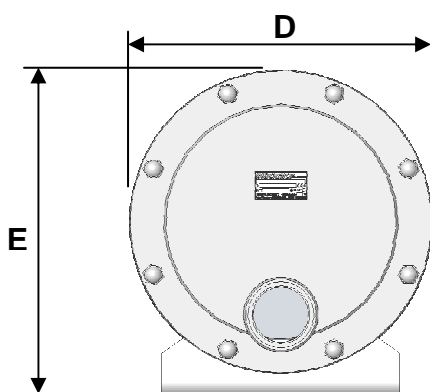


CHARACTERISTICS

| | STANDARD | AVAILABLE OPTIONS |
|---|------------------------|--|
| Technology | Eccentric Disc Mouvex® | |
| Maximum Flow rate at 1 cSt L/h (GPM) | 24000 (105.66) | |
| Cubic capacity L (cu.in) | 0.946 (57.73) | |
| Inlet chamber volume L (cu.in) | 11 (671) | |
| Outlet chamber volume L (cu.in) | 7 (427) | |
| Ports | SMS 1145 | DIN 11851 DIN 11864 BF-A Aseptik fl. CLAMP ASME BPE-2009 CLAMP (ISO 2858) |
| Pump heating | None | Heating jacket |
| Dimensions mm (in.) (With SMS connections) | A | 879 (34.6) |
| | B | 308 (12.13) |
| | C | 533.5 (21) |
| | D | 395 (15.55) |
| | E | 421.5 (16.6) |
| Weight kg (lbs) | 185 (408) | |



OPERATING LIMITS

| | STANDARD MATERIALS |
|---|--|
| Minimum temperature °C (°F) | -15 (5) |
| Maximum temperature °C (°F) | Process: 100 (212) Washing / Rinsing / Sterilisation : 121 (250) |
| Maximum viscosity cSt (SSU) | 10000 (46350) |
| Maximum differential pressure bar (psi) | 9 (130) |
| Maximum inlet pressure barg (psig) | 2 (29) |
| Maximum speed rpm | 460 |
| Maximum solid particle size mm (in) | 2 (0.079) |
| Maximum soft particle size mm (in) | 14 (0.551) |

MATERIALS OF CONSTRUCTION

| Part No | PART NAME | STANDARD MATERIALS | AVAILABLE OPTIONS |
|---------|------------------------------|--|--|
| 101 | Inlet Tube | 316L Stainless Steel (low carbon) | |
| 104 | Inlet tube Bracket | 316L Stainless Steel (low carbon) | |
| 201 | Cylinder | 316L Stainless Steel (low carbon) | |
| 301 | Disc | CY5SnBiM (anti galling alloy) | |
| 304 | Disc Nut | 316Ti Stainless Steel (Titanium Alloy) | |
| 401 | Outlet Cover | 316L Stainless Steel (low carbon) | |
| 402 | Spacer tube | 316L Stainless Steel (low carbon) | |
| | Bolts | 316L Stainless Steel (low carbon) | |
| 596 | Transmission Assembly | | |
| | Bearings | Ball / Roller / Needle | |
| | Double Bellows Assembly | 316Ti & 316 L Stainless Fabrication | Bellows monitoring system |
| | Housing | Cast iron | |
| | Screws | Steel | |
| | Transmission Lubricant | Synthetic oil | |
| | Seal Rings | Fluorocarbon (FKM) O-Rings | L - FKM gaskets (FDA) PTFE Encapsulated O-rings |

