

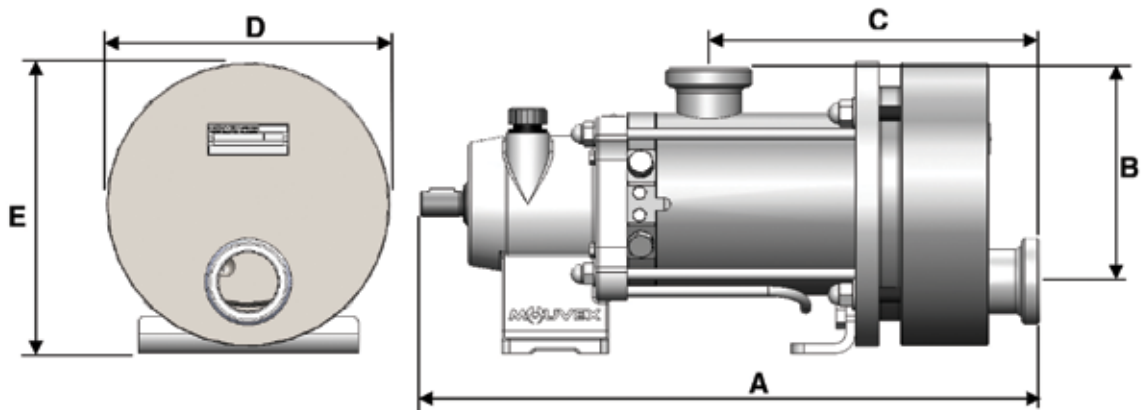


## SLSi4 Eccentric Disc Pump



### Characteristics

		Standard	Available Options
Technology		Eccentric Disc Mouvex®	
Maximum Flow rate at 1 cSt L/h (GPM)		4500 (19.81)	
Cubic capacity L (cu.in)		0.108 (6.59)	
Inlet chamber volume L (cu.in)		1.54 (93.98)	
Outlet chamber volume L (cu.in)		0.49 (29.90)	
		DN51 (2") SMS1145	DN50 DIN 11851 DN50 DIN 11864 BF-A Aseptik fl. DN51 (2") Tri-Clamp ASME-BPE
Pump heating		None	Heating jacket
Shaft sealing		Mouvex Seal-less drive with double bellows	Bellows monitoring system ATEX Bellows monitoring system
Dimensions mm (in.) (With SMS connections)	A	499 (19.646)	
	B	171 (6.732)	
	C	267 (10.512)	
	D	228 (8.976)	
	E	234 (9.213)	
Weight kg (lbs)		49.5 (110)	





# SLSi4 Eccentric Disc Pump

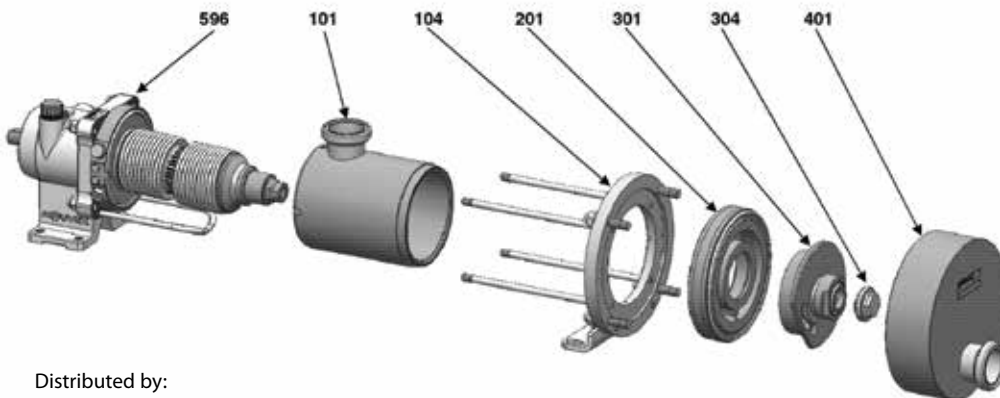


## Operating Limits

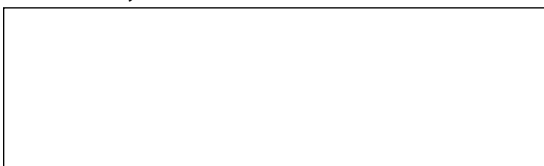
	Standard Materials	
Minimum temperature °C (°F)	-15 (5)	
Maximum temperature °C (°F)	Process: 100 (212)	Washing / Rinsing / Sterilization : 121 (250)
Maximum viscosity cSt (SSU)	10000 (46350)	
Maximum differential pressure bar (psi)	10 (145)	
Maximum inlet pressure barg (psig)	1 (14.5)	
Maximum speed rpm	750	
Maximum solid particle size mm (in)	2 (0.079)	
Maximum soft particle size mm (in)	6.5 (0.25)	

## Materials of Construction

Part Number	Part Name	Standard Materials	Available Options
101	Inlet Tube	316L Stainless Steel	
104	Inlet Tube Flange	304L Stainless Steel	
201	Cylinder	316L Stainless Steel	
301	Disc	CY5SnBiM (anti galling alloy)	
304	Disc Screw	316Ti Stainless Steel (Titanium Alloy)	
401	Outlet Cover	316L Stainless Steel	
	Bolts	304L & 316L Stainless Steel	
596	Transmission Assembly		
	Bearings	Roller / Needle	
	Bellows Assembly	316Ti & 316L Stainless Fabrication	
	Housing	Cast iron	
	Screws	Stainless steel	
	Transmission Lubricant	Synthetic oil	
	Seal Rings	Fluorocarbon (FKM) O-rings	PTFE Encapsulated O-rings



Distributed by:



© 2013 Mouvex



ZI la Plaine des Isles  
2 rue des Caillottes  
F-89000 AUXERRE - FRANCE  
Tél : + 33.3.86.49.86.30  
Fax : + 33.3.86.46.42.10  
contact@mouvex.com  
www.mouvex.com